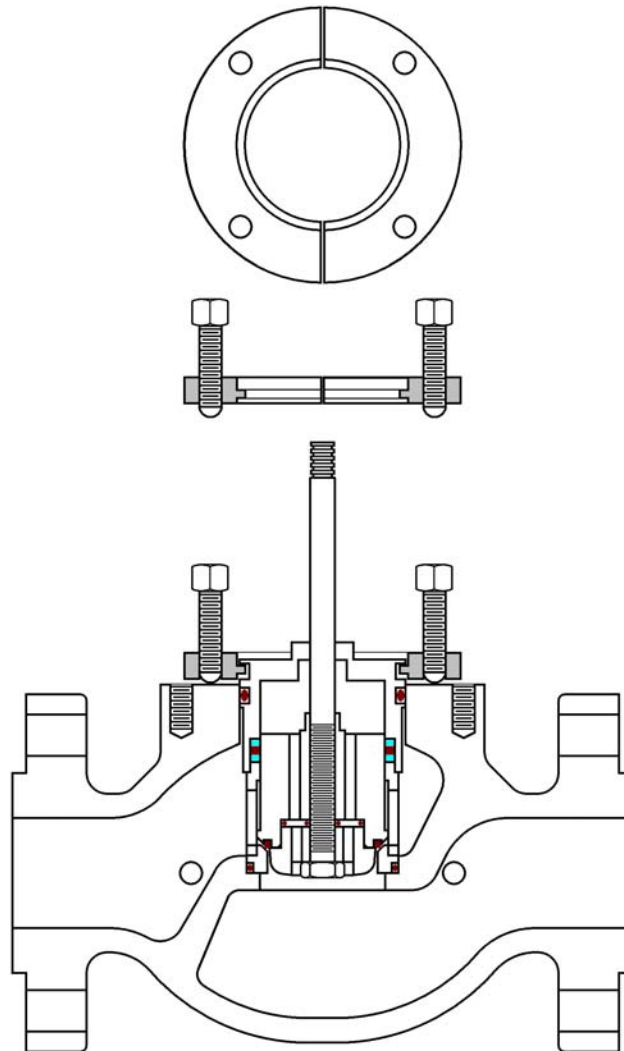


# Having difficulty removing upper cage in HPMVPB? Here's the right tool for the job!

UPPER CAGE REMOVAL TOOL FOR PISTON BALANCED HIGH PRESSURE MOTOR VALVE



Part No.	Valve	Description
5296	2"	Upper Cage Puller with Part No. 3003 Screws
5297	3"	Upper Cage Puller with Part No. 100 Screws
5298	4"	Upper Cage Puller with Part No. 100 Screws